



MOUNTING SYSTEM

Professional manufacturer



2017



Product Index



- ▶ **Health Care Arm** P1 - P6
- ▶ **Computing Workstation** P7 - P8
- ▶ **Wall Mounting Solutions** P9 - 11
- ▶ **LCD Monitor Arm** P12 - 17
- ▶ **LCD Desktop Mount** P18
- ▶ **LCD/TV Desktop Swivel Mount** P19
- ▶ **Multi LCD mount** P20 - 28
- ▶ **Pad mounting** P29
- ▶ **Notebook Arm** P30
- ▶ **TV Wall Mount** P31 - 40
- ▶ **LCD/TV Ceiling Mount** P41 - 42
- ▶ **Ceiling Project Mount** P43 - 44
- ▶ **Wall Project Mount** P45 - 46
- ▶ **POS mounting** P47
- ▶ **Mobile PC Stand** P48 - 49
- ▶ **Mobile LCD/TV Stand** P50 - 51
- ▶ **Motorized Multi LCD Mounting** P52
- ▶ **Video Conferencing Stand** P53 - 57
- ▶ **Whiteboard stand** P58
- ▶ **LCD Pole Mount** P59 - 61

984AA LCD/TV Monitor Arm with wall mounting



- The super LCD Arm is high-end flexible arm to provide LCD monitor /TV using convenient.
- With double Gas spring built-in system offers height and distance adjustment to most comfortable viewing.
- Hide all cables inside the arm.
- LCD monitor can be tilted, swiveled.
- Includes each of power cable & cat 6 flat cable (LAN cable) inside the arm.
- Meets with VESA 75/100mm.
- With antiseptic powder coating.
- Load capacity:1-4kgs.
- Length range: Max 1200mm

980CA LCD/TV Monitor Arm with wall mounting



- The super LCD Arm is high-end flexible arm to provide LCD monitor /TV using convenient.
- With double Gas spring built-in system offers height and distance adjustment to most comfortable viewing.
- Hide all cables inside the arm.
- LCD monitor can be tilted, swiveled.
- Includes each of power cable & cat 6 flat cable (LAN cable) inside the arm.
- Meets with VESA 75/100mm.
- With antiseptic powder coating.
- Load capacity:2-8kgs.
- Length range: Max 1800mm

985AA

LCD/TV Monitor Arm with wall mounting



- Meets with VESA 75/100mm.
- Gas spring assisted arm helps easy adjustment for viewing comfortable.
- LCD monitor can be tilted, swiveled.
- Includes each of power cable & cat 6 flat cable (LAN cable) inside the arm
- With antiseptic powder coating.
- Hide all cables inside the arm.
- **Weight capacity: Max 1-4kgs.**
- **Length range: Max 1200mm**

981CA

LCD/TV Monitor Arm with wall mounting



- Meets VESA 75/100mm.
- Gas spring arm helps easy adjustment monitor for viewing comfortable.
- LCD monitor can be tilted, swiveled.
- Includes each of power cable & cat 6 flat cable (LAN cable) inside the arm.
- With antiseptic coating.
- Hide all cables inside the arm.
- **Weight capacity: 2-8kgs.**
- **Length range: Max 1800mm.**

987AA LCD/TV Monitor Arm with wall mounting



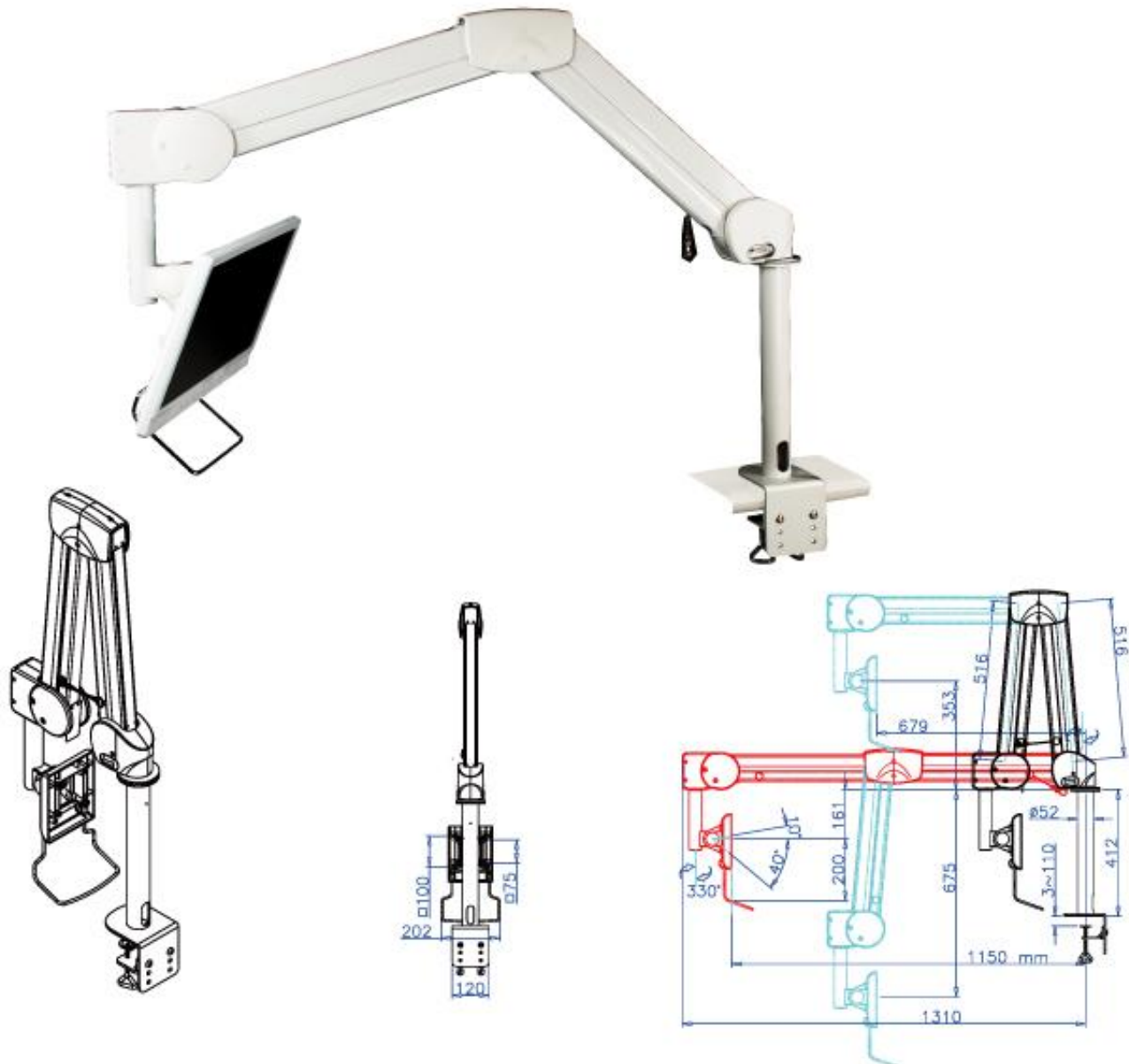
- Meets with VESA 75/100mm.
- Gas spring arm helps easy adjustment monitor for viewing comfortable.
- LCD monitor can be tilted, swiveled, and rotated.
- Includes each of power cable & cat 6 flat cable (LAN cable) inside the arm.
- With antiseptic coating.
- Hide all cables inside the arm.
- **Weight capacity: Max 1-4kgs.**
- **Length range: Max 1200mm**

983CA LCD/TV Monitor Arm with wall mounting



- Meets with VESA standard 75/100mm.
- Gas spring arm helps easy adjustment monitor for viewing comfortable.
- The majority of cable can be neatly concealed inside the arm for an exceptionally clean look.
- The aluminum alloy and steel construction make the sturdy, LCD monitor can be tilted, swiveled.
- Includes each of power cable & cat 6 flat cable (LAN cable) inside the arm.
- With antiseptic coating.
- Hide all cables inside the arm.
- **Weight capacity: Max 2-8kgs.**
- **Length range: Max 1800mm.**

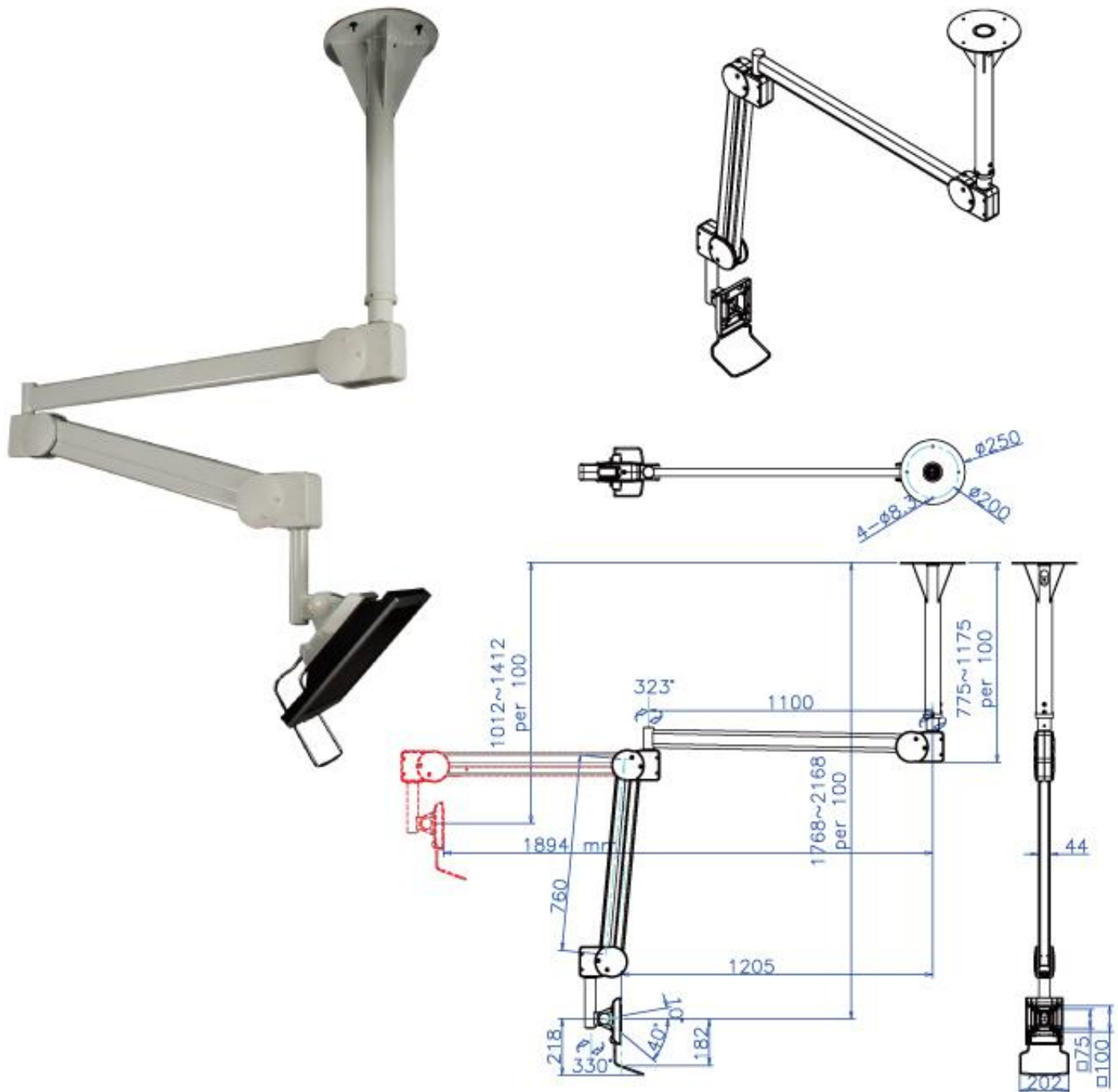
984KA LCD/TV Monitor Arm with Desktop mounting



- The super LCD Arm is a high-end flexible arm to provide LCD monitor /TV using convenient.
- With double Gas spring built-in system offers height and distance adjustment to most comfortable viewing.
- Hide all cables inside the arm.
- LCD monitor can be tilted, swiveled.
- Includes each of power cable & cat 6 flat cable (LAN cable) inside the arm.
- Meets with VESA 75/100mm.
- Desktop c-clamp mounting up to 9cm thickness.
- With antiseptic coating.
- Load capacity:1-4kgs
- Length range: Max 1300mm.

982CA

LCD/TV Monitor Arm with Ceiling Mount Type



- Meets with VESA standard 75/100mm.
- LCD monitor can be tilted and arm can be swiveled.
- Gas spring arm helps easy adjustment monitor for viewing comfortable.
- Includes each of power cable & cat 6 flat cable (LAN cable) inside the arm.
- With antiseptic coating.
- Hide all cables inside the arm.
- **Weight capacity: Max 2-8kgs.**

9600A

LCD /TV Monitor Arm with the Wall mounting



- Weight capacity: Max 3-5kgs(item no.9610A)
- Weight capacity: Max 5-8kgs(item no.9600A)**
- Meet with VESA 75/100mm.
- The super LCD arm is a high-end flexible arm to provide LCD monitor / TV using convenient.
- Includes cable management to tidy the cable in place.
- LCD monitor can be tilted, swiveled, and rotated.
- Length range: Max 1600mm

960FA

LCD /TV Monitor Arm with the Wall mounting



- Weight capacity: Max 3-5kgs(item no.961FA)
- Weight capacity: Max 5-8kgs(item no.960FA)**
- Meet with VESA 75/100mm with handle.
- The super LCD arm is a high-end flexible arm to provide LCD monitor / TV using convenient.
- Includes cable management to tidy the cable in place.
- LCD monitor can be tilted, swiveled, and rotated.
- Length range: Max 1600mm



900DA *Mobile Laptop cart*

- Locks your laptop in a drawer for anti-theft.
- Accommodates widescreen laptops up to 17" screen.
- Height adjustable working area is comfortable for sitting or standing users.
- Pull-out keyboard storage and mouse stage can be the left right side.
- Organizes the cable management in place to have a clear look.
- This model is fitted with wheels for easy movement and 4pcs with lock while working.
- Help to improve workflow efficiency and upgrade patient care.
- Max loading :5kgs.



901EA *Mobile computing cart with monitor Arm*

- Locks your laptop in a drawer for anti-theft and leave clean desktop for working.
- Accommodates widescreen laptops with 17" screen.
- Height adjustable working area is comfortable for sitting or standing users.
- Pull-out keyboard storage and mouse stage can be the left or right side.
- Organizes the cable management in place to have a clear look.
- This model is fitted with wheels for easy movement and 4pcs with lock while working.
- Help to improve workflow efficiency and upgrade patient care.
- Install a single LCD arm to have the monitor in a better viewing position.
- Monitor can be swiveled, rotated and tilted.
- Meet with VESA standard 75/100mm.
- Max loading including monitor: Max 7kgs.
- The CPU holding size:52-100mm.
- Install an CPU can (option)be in the front or back.



902HA *Mobile computing cart with Dual monitor Arm*

- Locks your laptop in a drawer for anti-theft and leave clean desktop for working.
- Accommodates widescreen laptops with 17" screen.
- Height adjustable working area is comfortable for sitting or standing users.
- Pull-out keyboard storage and mouse stage can be the left or right side.
- Organizes the cable management in place to have a clear look.
- This model is fitted with wheels for easy movement and 4pcs with lock while working.
- Help to improve workflow efficiency and upgrade patient care.
- Install a Dual LCD arm to have the monitor in a better viewing position.
- Monitor can be swiveled, rotated and tilted.
- Meet with VESA standard 75/100mm.
- Max loading including monitor: Max 8kgs.
- The CPU holding size:52-100mm.
- Install an CPU can (option)be in the front or back.



930AA *Mobile computing Cart with Monitor Arm*

- Height adjustable working area is comfortable for sitting or standing users.
- Pull-out keyboard storage and mouse stage can be attached to the left or right side.
- This model is fitted with wheels for easy movement and 2pcs with lock while working.
- Help to improve workflow efficiency and upgrade patient care.
- Height of monitor can be adjustable.
- Monitor can be swiveled, rotated and tilted.
- Meets with VESA 75/100mm.
- Max loading including monitor Max 7kgs.



9200A *Mobile computing Cart with Monitor Arm*

- Height adjustable working area is comfortable for sitting or standing users.
- Pull-out keyboard storage and mouse stage can be attached to the left or right side.
- Organizes the cable management in place to have a clear look.
- This model is fitted with wheels for easy movement and 4pcs with lock while working.
- Install a single LCD arm to have the monitor in a better viewing position.
- Height of monitor can be adjustable
- Monitor with VESA 75/100mm.
- Max loading including monitor max10kgs.

132GW

*Wall solutions for Healthcare /warehouse / Public place
Technology Intelligent, ergonomic, space-optimizing design*



- Extend LCD and keyboard up to 1018mm from wall ; fold equipment back out of the way when not in use.
- Ergonomic back-tilt keyboard tray ensures wrists remain in a neutral position during data entry ; keyboard tray pulls out when needed and stows inside work surface.
- Maintains the relative position of screen and keyboard throughout full range of motion.
- This is a complete solution that accommodates a LCD, Keyboard and CPU, creating a sit-stand workstation.
- It is perfect for space-constrained areas by simply fold the keyboard and LCD tight against the wall when not in use.
- This wall mounted computer workstation include a sturdy 90.5mm(W)x500mm(L)x20mm (D) (X2PCS) aluminum posts that mounts to wall.
- Articulating arms built-in VESA 75/100 compliant mount bracket can be tilted.
- The CPU/power supply holder adjusts to hold items up to 100mm(W) securely and includes non-skid cushions to prevent marring.
- CPU holder weight capacity:10kgs.
- Keyboard holder weight capacity:0-5kgs.
- Max monitor holder weight capacity:9kgs.

1320W Wall Mount Solutions



- This is a complete solution that accommodates a LCD, keyboard and CPU, creating a sit-stand workstation.
- It is perfect for space-constrained areas by simply fold the keyboard and LCD tight against the wall when not in use.
- This wall mounted computer workstations include a sturdy 90.5mm(W)x500mm(L)x28mm(D) (X2PCS) aluminum posts that mounts to wall.
- Articulating arms built-in VESA 75/100 compliant mount bracket can be tilted, panned and rotated.
- The CPU/power supply holder adjusts to hold items up to 100mm(W) securely and includes non-skid cushions to prevent marring.
- CPU holder weight capacity:10kgs
- Keyboard holder weight capacity:2.5~5.5kgs.
- Monitor holder weight capacity:2.5~5.5kgs.



132EW Wall Mount Solutions

- Meet with VESA 75/100mm.
- Monitor can be tilted only.
- Weight capacity:Max50kgs (Monitor weight capacity: Max 15kgs.)
- This height adjustable wall mounted computer workstation is complete with monitor mount, keyboard tray, and is perfect for areas that needs more space.



196PB *LCD Monitor keyboard arm for desktop mounting*

- This is a complete solution that accommodates a LCD, Keyboard and CPU ,creation a sit-stand workstation.
- Meets with VESA 75/100mm.
- Monitor can be tilted, swiveled and rotated.
- The height of monitor is adjustable for swing into any position.
- It is perfect for space-constrained areas by simply fold the keyboard.
- The CPU/power supply holder adjusts to hold item up to 100mm(W) securely and includes non-skid cushions to prevent marring.
- Cables management.
- With both c-clamp and grommet mounting on the desk.
- CPU holder weight capacity:7kgs.
- Keyboard holder weight capacity:5kgs
- Monitor holder weight capacity:10kgs



131EA *Desktop / Wall Mount System*

- Weight capacity: Max 10kgs (Include keyboard tray/CPU holder)
- Meets with VESA 75/100mm.
- The width of CPU holder can be 52-100mm.
- Keyboard platform has 5 degrees tilted.
- Monitor can be tilted, swiveled and rotated.
- Includes cable management to tidy the cable in place.
- With a c-clamp mounting bracket which can be a wall mounting too.
- The arm can be extended.



970CA *Wall Mount System*

- Weight capacity: 10kgs (Include keyboard tray/ CPU holder)
- Meets with VESA standard 75/100mm.
- The super LCD arm is a high-end flexible arm to provide convenient LCD monitor using.
- LCD monitor can be tilted, swiveled, and rotated.
- Includes cable management to tidy the cable in place.
- Length range: Max 1390mm.
- The width of CPU holder can be 52-100mm.



131AA *Econ LCD Arm*

- Weight capacity:10kgs.
- Meets with VESA 75/100mm.
- With a c-clamp mounting bracket which can be a wall mounting, too.



8520S Gas LCD Monitor Arm

- Weight capacity:2.5~5.5kgs for each screen.
- Meets with VESA 75/100mm.
- Monitor can be tilted, swiveled and rotated.
- 360° free switch between portrait and landscape orientation.
- The height of LCD monitor is adjustable.
- Desktop C-Clamp mounting up to 7cm thickness.



8530S Gas LCD Monitor Arm

- Weight capacity: Max 2.5~5.5kgs for each screen.
- Meets with VESA 75/100mm.
- Desktop clamp mounting up to 7cm thickness.
- Gas assistant system easily adjusts the height of monitor.
- Cable management.



7180A Gas LCD Monitor Arm

- Easy to install with snap-on head design and unique base installation.
- Streamline appearance and external cable management save work space and make environment comfortable and look cleaner.
- Only by one touch, the monitor could be adjusted to ideal positions.
- Pioneered simple installation design makes more flexible in using at the narrow place.
- Meets with VESA standard 75/100mm.
- Weight capacity: Max 8kgs.
- Gas assistant system easily adjusts the height of monitor.



7080A LCD Monitor Arm



- Easy to install with snap-on head design and unique base installation.
- Streamline appearance and external cable management save work space and make environment comfortable and look cleaner.
- Pioneered simple installation design makes more flexible in using at the narrow place
- Quick release pivot mount installs monitor easily and quickly.
- Desktop C-Clamp mounting up to 7cm thickness.
- Meets with VESA standard 75/100mm.
- Weight capacity: Max 10kgs.



150NN *Gas LCD Monitor Arm*

- Weight capacity: Max 10kgs.
- Meet with VESA 75/100mm.
- Desktop clamp mounting up to 9cm thickness.
- Gas assistant system easily adjusts the height of monitor.



7400S *Gas LCD monitor Arm*

- Weight capacity: Max 6~10kgs
- Meets with VESA 75/100mm.
- Desktop c-clamp mounting up to 7cm thickness.
- Die-casting aluminum arm .
- Gas assistant system easily adjusts the height of CLD monitor.



7420S *Gas LCD Monitor Arm*

- Weight capacity :Max 4~8kgs.
- Meets with VESA 75/100mm.
- Desktop c-clamp mounting up to 7cm thickness.
- Die-casting aluminum two-step arm.
- Gas assistant system easily adjusts the height of CLD monitor.



7300S *Deluxe LCD Monitor Arm*

- Weight capacity: Max 10kgs.
- Meets with VESA 75/100mm.
- Desktop c-clamp mounting up to 7cm thickness.
- The height of LCD monitor is adjustable.
- Die-casting arm.
- Quick set-up with effortless tool-less adjustment and installation.
- Cable management.



7310S *Deluxe LCD Monitor Arm*

- Weight capacity: Max 10kgs
- Meets with VESA 75/100mm.
- Desktop C-Clamp mounting up to 7cm thickness.
- The height of LCD monitor is adjustable.
- Die-casting one-step arm.
- Quick set-up with effortless tool-less adjustment and installation.
- Cable management.



7320S *Deluxe LCD Monitor Arm*

- Weight capacity:10kgs.
- Meets with VESA 75/100mm.
- Desktop C-Clamp mounting up to 7cm thickness.
- The height of LCD MONITOR IS ADJUSTABLE.
- Die-casting two-step Arm.
- Quick set-up with effortless tool-less adjustment and installation.
- Cable management.



7100S *Deluxe LCD Monitor Arm*

- Weight capacity: Max 5kgs.
- Meets with VESA 75/100mm.
- Desktop C-Clamp mounting up to 7cm thickness.
- The height of LCD monitor is adjustable.
- Die-casting arm.
- Quick set-up with effortless tool-less adjustment and installation.
- Quick release pivot mount installs monitor easily and quickly.



7110S *Deluxe LCD Monitor Arm*

- Weight capacity:Max5kgs.
- Meet with VESA 75/100mm.
- Desktop c-clamp mounting up to 7cm thickness.
- The height of LCD monitor is adjustable.
- Die-casting one-step Arm.
- Quick set-up with effortless tool-less adjustment and installation.
- Quick release pivot mount installs monitor easily and quickly.



7120S *Deluxe LCD Monitor Arm*

- Weight capacity: Max 5kgs.
- Meets with VESA 75/100mm.
- Desktop c-clamp mounting up to 7cm thickness.
- The height of CLD monitor is adjustable .
- Die-casting two-step arm.
- Quick set-up with effortless tool-less adjustment and installation.
- Quick release pivot mount installs monitor easily and quickly.



7000B *Econ LCD Monitor Arm*

- Weight capacity: Max 10kgs.
- Meets with VESA 75/100mm.
- Desktop c-clamp mounting up to 7cm thickness.
- The height of LCD monitor is adjustable.



7010B *Econ LCD Monitor Arm*

- Weight capacity: Max 10kgs.
- Meets with VESA standard 75/100mm.
- Desktop C-Clamp mounting up to 7cm thickness.
- The height of LCD monitor is adjustable.
- Die-casting aluminum one-step arm.



7020B *Econ LCD Monitor Arm*

- Weight capacity: Max 10kgs.
- Meets with VESA standard 75/100mm.
- Desktop C-Clamp mounting up to 7cm thickness.
- The height of LCD monitor is adjustable.
- Die-casting aluminum two-step arm.



1360B *Econ LCD Arm*

- Weight capacity :Max 10kgs.
- Meets with VESA 75/100mm.
- With c-clamp for desk mount up to 9cm thickness.
- The height of LCD monitor is adjustable.



191B *Econ LCD Arm*

- Weight capacity: Max 10kgs.
- Meets with VESA 75/100mm.
- Desktop c-clamp mounting up to 9cm thickness.
- The height of LCD MONITOR IS ADJUSTABLE.
- LCD Arm design allows completely movement of your monitor



192B *Econ LCD Arm*

- Weight capacity: Max 10kgs.
- Meets with VESA 75/100mm.
- Desktop c-clamp mounting up 9cm thickness.
- The height of CLD monitor is adjustable.
- LCD Arm design allow maximum completely movement of your monitor.



1900B *Econ LCD Arm*

- Weight capacity: Max 10kgs.
- Meets with VESA 75/100mm.
- Desktop c-clamp mounting up to 9cm thickness.
- The height of LCD monitor is adjustable.
- Double-arm design allow completely movement of your monitor.
- Monitor can be swiveled, titled, and rotated 360 degrees.



1350B *ECON Desktop LCD Stand*

- LCD monitor can be tilted.
- Weight capacity: Max 8kgs.
- Meets with VESA 75/100mm.



6410B *LCD Desktop Stand*

- Stand alone for a desktop using.
- Monitor can be tilted upward 30 degrees.
- Meets with VESA 75/100mm.
- Weight capacity: Max 8kgs.
- The height of monitor is adjustable.



6200S *LCD Desktop Stand*

- With a weighted metal base.
- Holds LCD monitor up to 6kgs.
- The height of LCD monitor is adjustable.
- Meets VESA 75/100MM.



6400S *Gas LCD Desktop Stand*

- Stand alone for a desktop using
- Monitor can be tilted upward 30 degrees.
- Meets with standard VESA mounting brackets 75/100mm.
- Holds 17"-24" LCD monitor up to 4-8kgs.
- Gas assistant system easily adjusts the height of LCD monitor.



6450S *Desktop LCD Stand*

- Weight a weighted metal base.
- Monitor can be tilted, swiveled and rotated.
- Meets with standard VESA mounting brackets 75/100mm.
- The height of LCD monitor is adjustable.
- Holds LCD monitor up to 10kgs.

7600B TV Desktop swivel mount (Grommet)



- Weight capacity: Max 40kgs.
- Meets with VESA standard Max 600x400mm.
- Cable can go through the tube.
- The height of TV can be adjustable.
- TV can be tilted downward up to 15 degrees.
- It provides 270 degrees rotation.
- It is with a grommet mounting bracket.

760AB TV Desktop swivel Mount (C-Clamp)



- Weight capacity: Max 40kgs.
- Meets with VESA standard Max 600x400mm.
- Cable can go through the tube.
- The height of TV can be adjustable.
- TV can be tilted downward up to 15 degrees.
- It provides 270 degrees rotation.
- Desktop C-Clamp mount up to 9cm thickness.



8540S Gas Dual LCD Arm

- Weight capacity: Max 2.5~5.5kgs for each screen.
- Meets with VESA 75/100mm.
- Desktop clamp mounting up to 7cm thickness.
- Gas assistant system easily adjusts the height of monitor.
- Cable management.
- Double arms for two monitors.
- The height of LCD monitor is adjustable.



7360S Deluxe Dual LCD Arm

- Weight capacity : 10kgs each screen.
- Meets with VESA 75/100mm.
- Desktop c-clamp mounting up to 7cm thickness.
- The height of LCD monitor is adjustable.
- Die-casting two-step arm.
- Quick set-up with effortless tool-less adjustment and installation.
- Cable management.



7160S Dual LCD Arm

- Wight capacity:5kgs each screen.
- Meets with VESA 75/100mm.
- This LCD mounting arm is a designed to support two screens up to 26"(Max screen width840mm).
- The two die-casting arm are easy adjustability for swing into and position.
- LCD Monitor CAN BE TILTED,SWIVELED,AND ROTATED.
- With a c-clamp for desktop mounting.
- Quick release pivot mount installs monitor easily and quickly.



7060S Dual LCD Arm

- Weight capacity:6kgs each screen.
- Meets with VESA 75/100mm.
- This LCD mounting arm is designed to support two screens.
- The two-arm is easy adjustability for swing into any position.
- With a c-clamp for desktop mounting up to 7cm thickness.
- Includes cable holder to organize the cables in place.



625BB *Dual LCD Monitor Stand Desktop Clamp*

- Weight capacity:6kgs each screen up to 27" (Max screen width 707mm)
- Meets with VESA 75/100mm.
- The two arms are easy adjustability for swing into any position.
- With a c-clamp for desktop mounting.



2220B *Curved Dual LCD Monitor Stand Desktop (Clamp)*

- Weight capacity:8Kgs each screen up to 27"(Max screen width 680mm).
- Meets with VESA 75/100mm.
- Designs to support 2 screens can be adjustable.
- With c-clamp for desktop mounting.



2050B *Dual LCD Screen Arm*

- Weight capacity:6kgs each screen up to 27".
- Meets with VESA 75/100mm.
- With C-Clamp for desktop mounting.
- The height of screens can be adjustable.



6460S *Dual LCD Screen Stand*

- Weight capacity: 6kgs each screen up to 22".
- Meets with VESA 75/100mm.
- The two arms are easy adjustability for swing into comfortable position.
- Design to support 2 screens in horizontal position.
- With a weighted metal base.



6250B *Dual LCD Monitor Stand Free Standing*

- Weight capacity: 6kgs each screen up to 24" (Max screen width 606mm)
- Meet with VESA 75/100mm.
- The two arms are easy adjustability for swing into any position.
- With a weighted metal base.



6320B *Curved Dual LCD Monitor Stand Free Standing*

- Weight capacity: 8kgs each screen up to 27" (Max screen width 680mm).
- Meets with VESA 75/100mm.
- Designs to support 2 screens in horizontal position.
- The height of screens can be adjustable.
- With a weighted metal base.



196BB

**Vertical Dual LCD Monitor
Stand Desktop (Clamp)**

- Design to support 2 screen in vertical position.
- Weight capacity: 6kgs each screen.
- Meets with VESA 75/100mm.
- With a c-clamp for desktop mounting.



647AB

**Vertical Dual LCD Monitor
Stand Free Standing**

- Design to support 2 screen in vertical position.
- Weight capacity: 6kgs each screen.
- Meets with VESA 75/100mm.
- With a weighted metal base.



2130B

Super Dual Wall Mount

- Weight capacity: 8kgs each screen up to 27" (Max screen width 778mm).
- Meets with VESA 75/100mm.
- Your screen can be easy adjustment for swiveling and tilting.
- Monitors can be mounted side by side.



1930B Triple LCD Mount

- Weight capacity:6kgs each screen up to most 22"(Max screen with 518mm).
- Meets with VESA 75/100mm.
- Designs to support three screen up to 22" from one pole.



2230B Triple LCD Arm

- Weight capacity:8kgs each screen up to 26" (Max screen width 645mm).
- Meets with VESA 75/100mm.
- Designs to support three screens from one pole.
- The height of screens can be adjustable.



2030B Curved Triple LCD Arm

- Weight capacity:8KGS each screen up to 27".
- Meets with VESA 75/100mm.
- Your screen can be easy adjustment for swiveling and tilting.
- Arm can be easily extended and retracted on both sides for your screen.
- Design to support three screen from one pole.
- The height of screen can be adjustable.
- With C-Clamp for desktop mounting.



6330B Curved Triple LCD Stand

- Weigh capacity:8kgs each screen up to 26"(Max screen width 645mm).
- Meets with VESA 75/100mm.
- Designs to support three screens from one pole.
- The height of screens can be adjustable.
- With a weighted metal base.



6430B Triple LCD Screen Stand

- Weight capacity:8kgs each screen up to 27".
- Meets with VESA 75/100mm.
- This mounting arm supports three flat panels on one pole.
- It makes your workstation even more efficient.
- Your gain more workspace.
- The LCD mounting arm is designed to support 3 screens form one pole.
- With heavy base.



7270S Quad LCD Arm

- Weight capacity:6kgs each screens.
- Meets with 75/100MM.
- The LCD mounting arm is designed to support 4 screen from on pole.
- The height of monitor is adjustable.
- With C-Clamp for desktop mounting.



2240B Curved Quad LCD Arm

- Weight capacity:8kgs each screen up to 27".
- Meets with VESA 75/100mm.
- Arm can be easily extended and retracted on both sides for your screen.
- The height of screens can be adjustable.
- The LCD mounting arm s are designed to support 4 screens from one pole.
- With C-Clamp for desktop mounting.



2040B Quad LCD Mount

- Weight capacity:8kgs each screen up to 27".
- Meets with VESA 75/100mm.
- Your screen can be easy adjustment for swiveling and tilting.
- Arm can be easily extended and retracted on both sides for your screen.
- The height of screen can be adjustable.
- The LCD mounting arm is designed to support 4 screens from one pole.



626BB Quad LCD Mount

- Weight capacity:6kgs each screen up to 27"(Max screen width 707mm).
- Meets with VESA 75/100mm.
- The LCD mounting arm is designed to support 4 screen up to 27" from one pole.
- The height of monitor is adjustable for swing into any position.
- With a c-clamp for desktop mounting.



6340B *Curved Quad LCD Stand*

- Weight capacity:8kgs each screen up to 27".
- Meets with VESA 75/100mm.
- Arm can be easily extended and retracted on both sides for your screen.
- The height of screen can be adjustable.
- The LCD mounting arms are designed to support 4 screens from one pole.
- With a weighted metal base.



6440B *Quad LCD Screen Stand*

- Weight capacity:8kgs each screen up to 27".
- Meets with 75/100mm.
- Your screen can be easy adjustment for swiveling and tilting.
- Arm can be easily extended and retracted on both sides for your screen.
- The height of screen can be adjustable.
- The LCD mounting arm is designed to support 4 screens from one pole.
- With a weighted metal base.



6260B *Quad LCD Mount*

- Weight capacity:6kgs each screen up to 24" (Max screen width 606mm).
- Meets with VESA 75/100mm.
- The LCD mounting arm is designed to support 4screen from one pole.
- The height of monitor is adjustable for swing into any position.
- With a weighted metal base.



2000B Six-screen LCD mount

- Weight capacity:6kgs each screen up to 20".
- Meets with VESA 75/100mm.
- Deigns to support 6 screens from one pole.
- With C-Clamp for desktop mounting.



2060B Six-screen LCD Mount

- Weight capacity:6kgs each screen up to 20".
- Meets with VESA 75/100mm.
- Deigns to support 6 screens from one pole.
- With C-Clamp for desktop mounting.



2260B Curved Six-screen LCD Arm

- Weight capacity:8kgs each screen up to 27".
- Meets with VESA 75/100mm.
- Designs to support 6 screens from one pole.
- The height of screen can be adjustable.
- With C-Clamp for desktop mounting.

6490B *Six-screen LCD screen stand*



- Weight capacity:8kgs each screen up to 27".
- Meets with VESA 75/100mm.
- Your screen can be easy adjustment for swiveling and tilting.
- Deigns to support 6 screen from one pole.
- With heavy base.

6360B *Curved six-screen LCD stand*



- Weight capacity:8kgs each screen up to 27".
- Meets with VESA 75/100mm.
- Designs to support 6 screens form one pole.
- With heavy base.

125YB

Pole Mount for iPad



- Weight capacity:3kgs.
- The plate holding size:
(H) 199-243x (W) 152-187x (D) 5.5-10mm.
- It fits any 25-40MM diameter pole.
- The iPad mount allows to be mounted on horizontal pole or vertical pole.
- iPad can be tilted and rotate.

340MB

iPad Stand



- Weight capacity :Max 3kgs.
- The angel & length of frame can be adjustable for different size of Tablet PC.
- iPad can be tilted, swiveled, and rotated.
- With a weight metal base.

340DS

iPad Stand



- Weight capacity: Max 3kgs.
- The plate holding size:
(H) 199-243x (W) 152-187x (D) 5.5-10mm.
- The height of iPad is adjustable.
- With a weight metal base.
- iPad can be tilted and swiveled and rotated.

130QB

Roll Stand for iPad



- Compatible with iPaad 1,2,3,air and air 2.
- The height of iPad is adjustable.
- The stand can be placed next to a chair, and the five casters enable quick relocation.



332B *Notebook Arm*

- Weight capacity: Max 10kgs.
- Extends screen up to 570mm long as close as your need.
- Aluminum platform helps cool the notebook computer.
- C-clamp bracket mounts onto the desktop up to 9cm thickness.
- Retractable keyboard holder to store extra keyboard.
- Platform has 20 degrees tilting.



3350B *Notebook Arm*

- Weight capacity: Max 10kgs.
- Includes 2pcs drawers to well organize your desktop or notebook accessories.
- Drawers can be swiveled for easy access the documents or other notebook accessories.



3360S *LCD/Notebook Arm*

- Weight capacity: Max 10kgs.
- Extends screen up to 450mm long as close as your need.
- Aluminum platform helps cool the notebook computer.
- With a c-clamp bracket mounting onto the desktop up to 7cm thickness.
- Platform has 20degrees tilting and 4pcs anti-skip pads.
- Die-casting aluminum two-step arm.
- The height of screen can be adjustable.
- Meets with VESA 75/100mm.



332MB *LCD/Notebook Arm*

- Weight capacity: Max 10 kgs.
- Extends screen up to 450MM long as close as your need.
- Aluminum platform helps cool the notebook computer.
- With a c-clamp bracket mounting onto the desktop up to 9cm thickness.
- Platform have 20 degrees tilting and 4pcs anti-skip pads.
- The height of screen can be adjustable.
- Meets with VESA 75/100mm.



854BS *Gas LCD/Notebook Arm*

- Weight capacity: Max 2.5~5.5kgs.
- Meets with VESA 75/100mm.
- Desktop clamp mounting up to 7cm thickness.
- Gas assistant system easily adjusts the height of monitor.
- Cable management.
- Aluminum platform helps cool the notebook computer.
- The height of LCD monitor is adjustable.
- Platform has 20degrees tilting and 4pcs anti-skip pads.



2600S TV Wall Mount

- Weight capacity: Max 15kgs.
- Meets with VESA 75/100mm.
- Mounts your screen to the wall and monitor can be tilted, swiveled, and rotated.



2610S LCD/TV Wall Mounting

- Weight capacity: Max 15kgs.
- Meets with VESA 75/100mm.
- Mounts your LCD monitor onto the wall with a 30cm long die-casting aluminum arm.
- Monitor can be tilted, swiveled, and rotated.



2620S LCD/TV Wall Mounting

- Weight capacity: Max 15kgs.
- Meets with VESA 75X100mm.
- Mounts your LCD monitor onto the wall with a 45cm long die-casting aluminum arm.
- Monitor can be tilted ,swiveled and rotated.



3100S LCD/TV Wall Mounting

- Weight capacity: Max 6kgs.
- Meets with VESA 75/100mm.
- Quick release pivot mount installs monitor easily and quickly.
- Mounts your screen to the wall and monitor can be tilted, swiveled and rotated.



3110S LCD/TV Wall Mounting

- Weight capacity: Max 6kgs.
- Meet with VESA 75/100mm.
- Quick release pivot mount installs monitor easily and quickly.
- Mounts your screen to the wall and monitor can be tilted, swiveled and rotated.
- Mounts your LCD monitor onto the wall with a 28cm long arm.



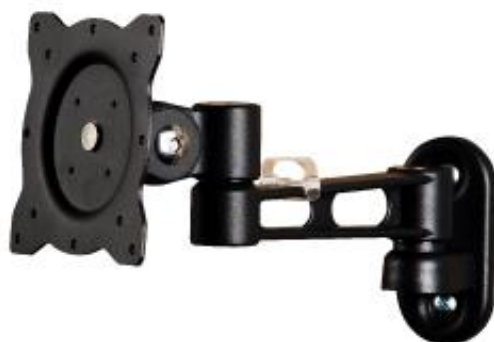
3120S LCD/TV Wall Mounting

- Weight capacity: Max 6kgs.
- Meet with VESA 75/100mm.
- Quick release pivot mount installs monitor easily and quickly.
- Mounts your screen to the wall and monitor can be tilted, swiveled and rotated.
- Mounts your LCD monitor onto the wall with a 45cm long arm.



3200B LCD/TV Wall Mounting

- Weight capacity: Max 10kgs.
- Meets with VESA 75/100mm.
- Mounts your LCD monitor onto the wall and monitor can be tilted, swiveled and rotated.



3210B LCD/TV Wall Mounting

- Weight capacity: Max 10kgs.
- Meets with VESA 75/100mm.
- Mounts your LCD monitor onto the wall and monitor can be tilted, swiveled and rotated.
- Die-casting aluminum one-step arm.



3220B LCD/TV Wall Mounting

- Weight capacity: Max 10kgs.
- Meets with VESA 75/100mm.
- Mounts your LCD monitor onto the wall and monitor can be tilted, swiveled and rotated.
- Die-casting aluminum two-step arm.



115AB LCD/TV Wall Mount (Fixed)

- Weight capacity: Max 20kgs.
- Meets with VESA 75/100mm.
- Mounts any LCD flat screen off the wall about 2.0cm
- Easy to mount with sliding bracket design.



115EB LCD/TV Wall MOUNT (Fixed)

- Wight capacity: Max 35kgs.
- Meets with VESA 75/100 and 200x100 or 200x200mm.
- Mount any LCD flat screen off the wall about 2.0cm.
- Easy to mount with sliding bracket design.



120DB Wall Mount system (Tilted)

- Weight capacity: Max 25kgs.
- Meets with VESA 75X100 and 200x100 or 200x200mm.
- Easy installation firmly onto the wall.
- Holds LCD monitor/TV 6cm off wall.



170MB LCD/TV Mounting

- Weight capacity: Max 25kgs.
- Meets with VESA 75/100 or 200x100mm.
- Mount your screen to the wall and monitor can be tilted, swiveled, and rotated.



170PB *LCD/TV Mounting*

- Weight capacity :Max 25kgs.
- Meets with 75/100 and 200x100 or 200x200MM.
- Mounts your screen to the wall with and monitor can be tilted, swiveled, and rotated.



170IB *LCD/TV Mounting*

- Weight capacity: Max 25kgs.
- Meets with VESA 75/100 and 200x200,400x200 or 400x400mm.
- Mounts your screen to the wall and monitor can be tilted, swiveled and rotated.



178PB *LCD/TV Mounting*

- Weight capacity :Max 25kgs.
- Meets with VESA 200x100 or 200x200mm.
- Monitor can be tilted, swiveled, and rotated.
- Mounts your LCD monitor onto the wall with a 40cm long arm.



178IB *LCD/TV Mounting*

- Weight capacity: Max 25kgs.
- Meets with VESA 200x200, 400x200 or 400x400mm.
- Monitor can be tilted, swiveled, and rotated.
- Mounts your LCD monitor onto the wall with a 40cn long arm.



3150S *Full Motion Wall Mount Gas Spring Arm*

- Weight capacity: Max 5-8kgs.
- Meets with VESA 75/100mm.
- Monitor can be tilted, swiveled and rotated.
- Monitor can be adjustment $-20^{\circ}\sim+45^{\circ}$.
- Arm height adjustment 270mm.
- Mounts your LCD monitor onto the wall with a 49cm long arm.



3160S *Full Motion Wall Mount Gas Spring Arm*

- Weight capacity: Max 5-8kgs.
- Meets with VESA 75/100mm.
- Monitor can be tilted ,swiveled and rotated.
- Monitor can be adjustment $-20^{\circ}\sim+45^{\circ}$.
- Arm height adjustment 270mm.
- Mounts your LCD monitor onto the wall with a 64cm long arm.



268BS *TV Swing-out Arm*

- Weight capacity: Max 25kgs.
- Meets with VESA 200x100 or 200x200mm.
- Mounts your LCD monitor onto the wall with a 44cm long arm.
- Monitor can be tilted and swiveled.



9410B TV Wall Mount (Tilted)

- Weight capacity: Max 50kgs.
- Meets with VESA standard Max 400x200mm.
- Flat screen will be mounted only 5.4cm off the wall.
- This universal wall-mount bracket is designed to fit flat TV from 32" to 37".
- Screen can be tilted 10 degrees downward.



9430B TV Wall Mount (Tilted)

- Weight capacity: Max 60kgs.
- Meets with VESA standard Max 600x400mm.
- Flat screen will be mounted only 5.4cm off the wall.
- This universal wall-mount bracket is designed to fit flat TV from 32" to 55".
- Screen can be tilted 10 degrees downward.



9450B TV Wall Mount (Tilted)

- Weight capacity: Max 70kgs.
- Meets with VESA standard Max 800x600mm.
- Flat screen will be mounted only 5.4cm off the wall.
- This universal wall-mount bracket is designed to fit flat TV from 32" to 65".
- Screen can be tilted 10 degrees downward.



9380B TV Wall Mount (Tilted)

- Weight capacity: Max 100kgs.
- Meets with VESA standard Max 800x600mm.
- Flat screen will be mounted only 7.3cm off the wall.
- This universal wall-mount bracket is designed to fit flat TV from 32" to 100".
- Screen can be tilted 10 degrees downward.



9420B TV Wall Mount (Fixed)

- Weight capacity: Max 50kgs.
- Meets with VESA standard Max 400x200mm.
- Flat screen will be mounted only 2.5 cm off the wall.
- This universal wall-mount bracket is designed to fit flat TV from 32" to 37".



9440B TV Wall Mount (Fixed)

- Weight capacity: Max 60kgs.
- Meets with VESA standard Max 600x400mm.
- Flat screen will be mounted only 2.5 cm off the wall.
- This universal wall-mount bracket is designed to fit flat TV from 32" to 55".



9460B TV Wall Mount (Fixed)

- Weight capacity: Max 70kgs.
- Meets with VESA standard Max 800x600mm.
- Flat screen will be mounted only 2.5 cm off the wall.
- This universal wall-mount bracket is designed to fit flat TV from 32" to 65".



9390B TV Wall Mount (Fixed)

- Weight capacity: Max 100kgs.
- Meets with VESA standard Max 800x600mm.
- Flat screen will be mounted only 4.7cm off the wall.
- This universal wall-mount bracket is designed to fit flat TV or signage from 32" to 100".



938LB TV Wall Mount with Security (Tilted)

- Weight capacity: Max 100kgs.
- Meets with VESA standard Max800 x600mm.
- Flat screen will be mounted only 7.3mm off the wall.
- This universal wall-mount bracket is designed to fit flat TV.
- key lockable vertical arm with 2 keys.
- Screen can be tilted 10 degrees downward.



939LB TV Wall Mount with Security (Fixed)

- Weight capacity: Max 100kgs.
- Meets with VESA standard Max 800x600mm.
- Flat screen will be mounted only 5cm off the wall.
- This universal wall-mount bracket is designed to fit flat TV.
- Key lockable vertical arm with 2 keys.



9360B Video Wall Mount

- Control zone leveling provides post-installation fine tuning of height and leveling for a seamless installation.
- Center less shift provides post-installation lateral shift to easily side screens apart or together for easy maintenance and perfect alignment.
- Click connect offers an audible click when the screen safely engages with the mount.
- Allows fine-tuning plumb adjustment to ensure screens are perfectly vertical for a seamless install, can be used to compensate for walls that are not perfectly flat.
- Built-in cable stand provides easy access under the screen.
- Provides integrated security , just add a padlock.
- Great for single display recessed application and 2x2 video walls.
- Weight capacity:50kgs.
- Meets with VESA standard 600x400mm.

9690B TV Swing-out Arm



- Weight capacity : Max 35kgs.
- Meets with VESA 400x200 and 600x400mm.
- Mounts your LCD monitor onto the wall with a 35cm long arm.

9680B TV Swing-out Arm



- Weight capacity: Max 35kgs.
- Meets with VESA standard 400x200 and 600x400mm.
- Mounts your LCD monitor onto the wall with a 48.5 long arm.



240BB LCD/TV Ceiling Mount

- Weight capacity: Max 15kgs.
- Meets with VESA 75/100 and 200x100mm.
- It provides an adjustable tube up to 129cm from the ceiling.
- Firmly fix on the ceiling.
- LCD monitor /TV can be swiveled or tilted.
- Cables can go through the tube.



873DB LCD/TV Ceiling Mount

- Weight capacity: Max 20kgs.
- Meets with VESA 75/100 and 200x100 or 200x200mm.
- It provides an adjustable tube up to 104cm from the ceiling.
- Firmly fix on the ceiling.
- LCD monitor /TV can be swiveled or tilted.
- Cables can go through the tube.



873EB LCD/TV Ceiling Dual TV Mount

- Weight capacity: 20kgs each screen.
- Meets with VESA 75/100 and 200x100 or 200x200mm.
- It provides an adjustable tube up to 104cm from the ceiling.
- Firmly fix on the ceiling.
- LCD monitor /TV can be swiveled or tilted.
- Cables can go through the tube.
- Holds 2pcs LCD TV back to back.



872AB LCD /TV Ceiling Mount

- Weight capacity: Max 35kgs.
- Meets with VESA standard max 600x400mm.
- It provides can adjustable tube up to 104cm from the ceiling.
- TV can be swiveled left or right for 45 degrees and be tilted downward 15 degrees.
- Cable can go through the tube.



870AB LCD / TV Ceiling Mount

- Weight capacity: Max 50kgs.
- Meets with VESA standard max 800x600mm.
- It provides can adjustable tube up to 104cm from the ceiling.
- Holds LCD TV or plasma TV up to 50kgs for most LCD TV from 32" to 70".
- TV can be swiveled left or right for 45degrees, and be tilted downward 15 degrees.



874AB LCD / TV Ceiling Mount

- Weight capacity: Max 35kgs each screen.
- Meets with VESA standard Max 600X400mm.
- It provides and adjustable tube up to 104cm from the ceiling.
- Holds 2pcs LCD TV from 26" to 42".
- Cable can go through the tube.
- TV can be tilted downward up to 15degrees.
- Holds 2pcs LCD TV back to back.



871AB LCD / TV Ceiling Mount

- Weight capacity: Max 50kgs each screen.
- Meets with VESA 800x600mm.
- It provides an adjustable tube.
- Max length from the ceiling is 104cm.
- Holds 2pcs LCD TV or plasma TV from 32" to 60" back to back.
- TV can be swiveled left or right for 45 degrees, and be tilted downward 15 degrees.
- Cables can go through the tube.



2340B *Ceiling Project Mount*

- Weight capacity: Max 10kgs.
- Max projector size: 390mm in diameter.
- Universal spider mount style fits most projectors.
- With tilt and swivel function.



2360B *Ceiling project Mount*

- Weight capacity: Max 11.5kgs.
- Max projector size: 390mm in diameter.
- Universal spider mount style fits most projectors.
- With tilt and swivel function .
- Adjustable ceiling tube can be extended from 42~52cm off the ceiling.
- Cables can go through the tube.



2380B *Ceiling project Mount*

- Weight capacity: Max 11.5kgs.
- Max projector size: 390mm in diameter.
- Universal spider mount style fits most projectors.
- With tilt and swivel function.
- Adjustable ceiling tube can be extended from 72-112cm off the ceiling.
- Cables can go through the tube.



236AB *Sloping Ceiling Projector Mount*

- Weight capacity: Max 8kgs.
- Max projector size : 390mm in diameter.
- Universal spider mount style fits most projectors.
- With tilt and swivel function.
- Adjustable ceiling tube can be extended from 49-59cm off the ceiling.
- Cables can go through the tube.



2500B *Heavy Projector Ceiling Mount*

- Projector ceiling mount is with tilt, swivel and fine-tune function.
- Max size: 430mm in diameter.
- Weight capacity: Max 20kgs.
- Projector can be swiveled, tilted up to 12 degrees and fine-tune adjustment for 3 degrees.



2510B *Heavy Projector Ceiling Mount*

- Projector ceiling mount is with tilt, swivel and fine-tune function.
- Max size: 430mm in diameter.
- Weight capacity: Max 20kgs.
- Projector can be swiveled , tilted up to 12 degrees and fine-tune adjustment for 3 degrees.
- Cables can go through the tube.
- Adjustable ceiling tube can be extended from 60-75cm off the ceiling.



2420B *Short-Throw Project Mount*

- Weight capacity: Max 11.5kgs.
- Max projector size: 390mm in diameter.
- Specially design to mount with short-throw projector.
- With tilt and swivel function.
- Adjustable tube can be extended from 37~47cm off the wall.
- Cable can go through the tube.



2400B *Long-Throw Project Mount*

- Weight capacity: Max 11.5kgs.
- Max projector size: 390mm in diameter.
- Specially design to mount with a long-throw projector.
- With tilt and swivel function.
- Adjustable tube can be extended from 73~123cm off the wall.
- Cable can go through the tube.



2440B *Long-Throw Project Mount*

- Weight capacity: Max 11.5kgs.
- Max projector size :390mm in diameter.
- Specially design to mount with a long-throw projector.
- With tilt and swivel function.
- Adjustable tube can be extended from 95~165cm off the wall.
- Cable can go through the tube.



2480B *Short-Throw Projector Mount*

- Weight capacity : Max 10kgs.
- Max projector size: 390mm in diameter.
- Specially design to mount with a short-throw projector.
- With tilt and swivel function.
- Max distance to wall is from 100mm~ 500mm.
- Cable can go through the tube.



2470B *Long-Throw Projector Mount*

- Weight capacity: Max 10kgs.
- Max projector size: 390mm in diameter.
- Specially design to mount with a long-throw projector.
- With tilt and swivel function.
- Max distance to wall is from 100mm-1000mm.
- Cable can go through the tube.



2490B *Long-Throw Projector Mount*

- Weight capacity : Max 10kgs.
- Max projector size:390mm in diameter.
- Specially design to mount with a long-throw projector.
- With tilt and swivel function.
- Max distance to wall is from 850mm-1420mm.
- Cable can go through the tube.



6620B POS Mount

- Monitor can be tilted, swiveled, and rotated.
- The height of LCD monitor is adjustable.
- Hide the cable inside the tube.
- Supports one monitor mounting.
- Grommet mounting solution.
- Meets with VESA standard 75/100mm.



662AB POS Mount

- Monitor can be tilted, swiveled, and rotated.
- The height of LCD monitor is adjustable.
- Hide the cable inside the tube.
- Supports one monitor mounting.
- Grommet mounting solution.
- Meets with VESA standard 75/100mm.
- Supports two monitors mounting solution.



662BB POS Mount

- Monitor can be tilted, swiveled, and rotated.
- The height of LCD monitor is adjustable.
- Hide the cable inside the tube.
- Supports one monitor mounting.
- Grommet mounting solution.
- Meets with VESA standard 75/100mm
- Supports two monitors and keyboard mounting solution.



662CB POS Mount

- Monitor can be tilted, swiveled, and rotated.
- The height of LCD monitor is adjustable.
- Hide the cable inside the tube.
- Supports one monitor mounting.
- Grommet mounting solution.
- Meets with VESA standard 75/100mm
- Supports two monitors and printer mounting solution.



662EB POS Mount

- Monitor can be tilted, swiveled, and rotated.
- The height of LCD monitor is adjustable.
- Hide the cable inside the tube.
- Supports one monitor mounting.
- Grommet mounting solution.
- Meets with VESA standard 75/100mm
- Supports two monitors, keyboard and printer mounting solution.



130BA-1 *Mobile LCD Cart*

- Weight capacity: Max 10kgs.
- Meets with VESA 75/100mm.
- This model is with lockable wheels and allows easy movement.
- LCD monitor can be swiveled, tilted and rotated.
- LCD monitor can be adjustable from 1100 to 1700mm high.



130A-1 *Mobile PC Cart*

- Meets with VESA 75/100mm.
- This model is with lockable wheels and allow easy movement.
- It will carry one PC keyboard , mouse and LCD monitor in one cart.
- LCD monitor can be adjustable from 1100 to 1700mm heigh.



130HA

Rolling PC workstation with Extended Notebook Holder Arm

- Monitor holder weight capacity: 10kgs.
- They are VESA compatible with 75/100mm.
- This height adjustable mobile workstation allow you to bring full A/V presentations anywhere around the office in a moment's notice.
- This ergonomic mobile workstation has 4 locking casters on a sturdy star base, allowing for easy transport and the ability to present anywhere at any time.



130XW

Mobile Medical Computer Cart With two vertical Mounted LCD Screen Monitors

- The model is with 4pcs lockable wheels and allows easy movement.
- Two LCD flat screen monitor arms.
- Pole mounted CPU holder.
- Keyboard arm with sliding mouse tray.
- Large rear handle for easy movement.
- Meets with VESA 75/100mm.
- Monitor can be tilted swiveled and rotated.
- The height adjustable of monitor is adjustable for swing into any position.
- It is perfect for space-constrained areas by simply fold the keyboard.
- Cables can go through the tube.
- CPU holder weight capacity:10kgs.
- Keyboard holder weight capacity:5kgs.
- Monitor holder weight capacity:10kgs for each screen.



842BB *Mobile TV Cart*

- Weight capacity: Max 35kgs.
- Meets with VESA standard Max 600x400mm.
- The height of TV can be adjustable.
- Max height is 160cm from TV center to floor.
- Holds LCD TV or plasma TV up 35kgs for most TV from 27" to 47"
- TV can be tilted downward up to 15 degrees.
- With a platform for DVD player.
- This model is with 4pcs lockable wheels and allows easy movement.



842CB *Mobile Signage TV Cart*

- Weight capacity: Max 35kgs.
- Meet with VESA standard Max 600x400mm.
- The height of TV can be adjustable.
- Max height is 160cm from TV center to floor.
- Holds LCD TV or plasma TV up 35kgs for most TV from 27" to 47".
- TV can be tilted downward up to 15 degrees.
- With a platform for DVD player.
- This model is with 4pcs lockable wheels and allows easy movement.
- TV can be easily rotated for portrait or landscape.



8620A *Mobile LCD Stand*

- Weight capacity: Max 50kgs.
- Meets with VESA standard max 800x450mm.
- The height of TV can be adjustable.
- Max height is 180cm from TV center to floor.
- Holds LCD TV or plasma TV up 50kgs for most TV from 32" to 60".
- TV can be tilted downward up to 15 degrees.
- With a platform form DVD player.
- This model is with 4pcs lockable wheels and allows easy movement.



862GA *Digital Signage TV stand*

- Weight capacity: Max 50kgs.
- Meets with VESA standard max 800x600mm.
- The height of TV can be adjustable.
- Max height is 180cm from TV center to floor.
- Holds LCD TV or plasma TV up 50kgs for most TV from 32" to 60".
- TV can be easily rotated for portrait or landscape.
- With a platform for DVD player.
- This model is with 4pcs lockable wheels and allows easy movement.



842PB *Mobile TV Cart*

- Weight capacity: Max 50kgs.
- Meets with VESA standard Max 600x400mm.
- The height of TV can adjustable.
- Max height is 160cm from TV center to floor.
- Holds LCD TV or plasma TV up 50kgs for most TV from 27" to 55".
- With a platform for DVD player.
- This model is with 4pcs lockable wheels and allows easy movement.



8630B *Heavy TV Stand*

- Weight capacity: Max 125kgs.
- Meets with VESA Max 800x600mm.
- The height TV can be adjustable.
- Max height TV can be adjustable.
- Max height is 185cm from TV center to floor.
- Holds LCD TV or plasma TV up 125kgs for most TV from 32 to 100".
- TV can be tilted downward up to 15 degrees.
- With a platform for DVD player.
- This model is with 4pcs lockable wheels and allows easy movement.



862DB *Back-to-Back Dual LCD/TV Stand*

- Weight capacity: Max 50kgs each for most 37" to 60" TV screen.
- Easily mounts two TV screens in back to back.
- Meets with VESA standard max 800x600mm.
- It provide adjustable tubes for the height adjustment of screen.
- With 4pcs lockable wheels for easy movement.
- Downward tilting brackets allow you to angle your plasma or LCD TV down 15°.



863HB *Vertical LCD Advertising TV Stand with Dual Screens*

- Weight capacity: Max 50kgs each for most 37" to 60" TV screen.
- Easily mount s two TV screen in vertical position.
- Meets with VESA standard max 800x600mm.
- It provide adjustable tubes for the height adjustment of screen.
- With 4pcs lockable wheels for easy movement.
- Downward tilting brackets allow you to angle your plasma or LCD TV down 15°.

932AB

Motorized Multi LCD Mounting



- Simple structure, modern appearance.
- Multiple function easy adjustment.
- Lockable structure, more stable to use.
- Excellent ergonomic design, strengthen the comfort level for user.
- Weight capacity: Max 8kgs for each screen up to 32".
- Meets with VESA standard 75/100mm.
- Height adjustable working area is comfortable for sitting or standing users.
- Monitor can be swiveled, rotated, and tilted.
- Motorized height adjustment.



868AB *Motorized TV Stand*

- Weight capacity: Max 50kgs.
- Meets with VESA standard max 800x450mm.
- It provides a motorized height adjustment to easily position the TV from 80cm to 125cm high from the ground.
- Holds LCD TV or plasma TV up 50kgs for most LCD TV from 27" to 60".
- TV can be tilted downward up to 15 degrees and turn left or right from 10 degrees.
- With 4pcs lockable wheels for easy movement.
- With both remote control and manual control.
- With a reinforce glass shelf.



891AB *Motorized TV Stand*

- Weight capacity: Max 125kgs.
- Meets with VESA standard max 800x600mm.
- It provides a motorized height adjustment to easily position the TV from 102cm to 147cm high from the ground.
- Holds LCD TV or plasma TV up 125kgs for most LCD TV from 37" to 100".
- TV can be turned left or right for 25 degrees.
- With a glass reinforce to have extra space.
- With 2pcs lockable wheels for easy movement.



8900B *Motorized Touch Table Stand*

- Mount the touch table screen either in vertical or horizontal position.
- Easily switches the touch table screen from vertical to horizontal position, vice versa by manual.
- It provides a motorized height adjustment to easily position the TV from **100cm to 145cm** from ground.
- Weight capacity: 120kgs.
- Meets with Max VESA standard 800x600mm.
- With 4pcs lockable wheels for easy movement.
- With both remote control and manual control.



892AB *Motorized Touch Table Stand*

- Weight capacity: Max 120kgs.
- Meets with VESA standard 800x600mm.
- With 2pcs lockable wheels for easy movement.
- It provides an motorized height adjustment to easily position the TV from **75cm to 140cm** high from the ground.
- Easily switches the touch table screen from vertical to horizontal, vice versa by motor.



8940B *Motorized TV Wall Mount*

- Weight capacity: Max 100kgs.
- Low profiles keeps TV close to the wall.
- It provides an motorized height adjustment to easily position the screen.
- Meets with max VESA 800x600mm.
- Includes complete hardware kit for easy installation for most 37-100 inch TVs.



891CB *Video conferencing Stand*

- Weight capacity: Max 125kgs.
- Meets with Max VESA standard 800x600mm.
- It provides a motorized height adjustment to easily position the TV from 100cm to 145cm high from the ground.
- Holds LCD TV or plasma TV up to 125kgs for most LCD TV from 37" to 100".
- TV can be turned left or right for 25 degrees.
- With 2pcs lockable wheels for easy movement.
- With a platform for VC camera holder.

891DB *Video conferencing Stand*



- Weight capacity: Max 50kgs each for most 37" to 60" TV screen.
- Meets with max VESA standard 800x600mm.
- It provides a motorized height adjustment to easily position the TV from 100cm to 145cm high from the ground.
- The video conferencing cart is a mobile solution for any professional video conference meeting.
- With 2pcs lockable wheels for easy movement.
- With a glass reinforce to have extra space.
- With a platform for VC camera holder.
- Easily mounts two screens side by side.

891FB *Motorized Multi-screen Stand*



- Mobile and stable monitor mounting system.
- Meets with VESA 800x600mm and hold TV screen up to 80" and 50kgs each .
- With 2pcs lockable wheels for easy movement.
- With both remote control and manual control.
- Integrated cable management.
- It provides a motorized height adjustment to easily position the TV from 102cm to 147 high from the ground.

895AB *Video Conferencing Stand*



- Weight capacity: Max 50kgs each for most 37" to 60" TV screen.
- Meets with max VESA standard 800x600mm.
- Max height is 180 from TV center to floor.
- The video conferencing cart is a mobile solution for any professional video conference meeting.
- With 4pcs lockable wheels for easy movement.
- With a platform for DVD player.
- With a platform for VC camera holder.
- Easily mounts two screens side by side.

895BB *Video Conferencing Stand*



- Weight capacity: Max 50kgs each for most 37" to 60" TV screen.
- Meets with VESA standard 800x600mm.
- Max height is 180 from TV center to floor.
- The video conferencing cart is a mobile solution for any professional video conference meeting.
- With 4pcs lockable wheels for easy movement.
- Easily mounts two screens side by side.



868DB

Motorized Interactive Whiteboard & Projector Stand

- It provides a motorized height adjustment to easily position the whiteboard and short-throw projector mount.
- Max weight capacity: 50kgs.
- With 4pcs lockable wheels for easy movement.
- With both remote control and manual control.



863CB

Electronic Whiteboard Stand

- Weight capacity: Max 50kgs.
- It provide height adjustment for interactive whiteboard and short-throw projector mounting solution.
- This model is with 4pcs wheels lockable and allows easy movement.



863DB

Electronic Whiteboard Stand

- Weight capacity: Max 50kgs.
- It provide height adjustment for interactive whiteboard and short-throw mounting solution.
- This model is with 4pcs wheels lockable and allows easy movement.
- With a platform form DVD player.



1100W LCD Pole Mount

- Weight capacity: Max 5kgs.
- Meets with VESA standard Max 75/100mm.
- It fits any 15-30mm diameter pole.
- Quick release pivot mount installs monitor easily and quickly.
- Monitor can be tilted, swiveled and rotated.
- Mount the LCD monitor onto the pole with a 8.5cm long arm.



1110W LCD Pole Mount

- Weight capacity: Max 5kgs.
- Meets with VESA standard Max 75/100mm.
- It fits any 15-30mm diameter pole.
- Quick release pivot mount installs monitor easily and quickly.
- Monitor can be tilted, swiveled and rotated.
- Mount the LCD monitor onto the pole with a 27cm long arm.



1120W LCD Pole Mount

- Weight capacity: Max 5kgs.
- Meets with VESA standard Max 75/100mm.
- It fits any 15-30mm diameter pole.
- Quick release pivot mount installs monitor easily and quickly.
- Monitor can be tilted, swiveled and rotated.
- Mount the LCD monitor onto the pole with a 46cm long arm.



1250W/AW LCD Pole Mount

- It fits any 30-50mm diameter pole ,item no:**1250W**.
- It fits any 25-40mm diameter pole ,item no:**125AW**.
- Weight capacity: Max 10kgs.
- Meets with VESA 75/100mm.
- The bracket allows to be mounted on horizontal pole or vertical pole.
- Monitor can be tilted and rotated.



1260W/AW/FW LCD Pole Mount

- It fits any 30-50mm diameter pole ,item no:**1260W**.
- It fits any 25-40mm diameter pole ,item no:**126AW**.
- It fits any 40-60mm diameter pole ,item no:**126FW**.
- Weight capacity: Max 10kgs.
- Meets with VESA 75/100mm.
- The bracket allows to be mounted on horizontal pole or vertical pole.
- Monitor can be tilted and rotated.
- Mounts your LCD monitor onto the pole with a 8.5cm long arm.



1270W/AW LCD Pole Mount

- It fits any 30-50mm diameter pole ,item no:**1270W**.
- It fits any 25-40mm diameter pole ,item no:**127AW**.
- Weight capacity: Max 10kgs.
- Meets with VESA 75/100mm.
- The bracket allows to be mounted on horizontal pole or vertical pole.
- Monitor can be tilted and rotated.
- Mounts your LCD monitor onto the pole with a 27cm long arm.



1280W/AW/FW LCD Pole Mount

- It fits any 30-50mm diameter pole ,item no:**1280W**.
- It fits any 25-40mm diameter pole ,item no:**128AW**.
- It fits any 40-60mm diameter pole ,item no:**128FW**.
- Weight capacity: Max 10kgs.
- Meets with VESA 75/100mm.
- The bracket allows to be mounted on horizontal pole or vertical pole.
- Monitor can be tilted and rotated.
- Mounts your LCD monitor onto the pole with a 42cm long arm.



1290W/AW LCD Pole Mount

- It fits any 30-50mm diameter pole ,item no:**1290W**.
- It fits any 25-40mm diameter pole ,item no:**129AW**.
- Weight capacity: Max 10kgs.
- Meets with VESA 75/100mm.
- The bracket allows to be mounted on horizontal pole or vertical pole.
- Monitor can be tilted and rotated.
- Mounts your LCD monitor onto the pole with a 40cm long arm.



126CS LCD Pole Mount

- Weight capacity: Max 20kgs.
- Meets with VESA Standard max 400x200mm.
- It fits any 30-50mm diameter pole.
- The bracket allows to be mounted on horizontal pole or vertical pole.
- Monitor can be tilted and rotated



126ES LCD Pole Mount

- Weight capacity: Max 20kgs.
- Meets with VESA standard max 400x400mm.
- It fits any 30-50mm diameter pole.
- The bracket allows to be mounted on horizontal pole or vertical pole.
- Monitor can be tilted and rotated.



126GS LCD Pole Mount

- Weight capacity: Max 20kgs.
- Meets with VESA standard max 200x200mm.
- It fits any 40-60mm diameter pole.
- The bracket allows to be mounted on horizontal pole or vertical pole.
- Monitor can be tilted and rotated.



Diwei Industrial Co., Ltd

Add:1-4, Wunan Rd., Wuchi, Taichung, Taiwan,435

Tel:886-4-26302152 Fax:886-4-26301496

E-mail:diwei@diwei.com

E-mail:diwei@ms5.hinet.net

Internet:<http://www.diwei.com>